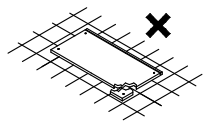
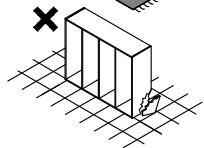
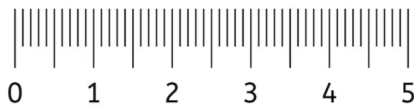
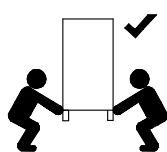
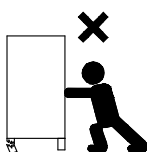
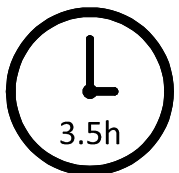
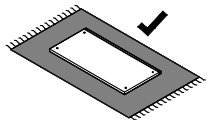
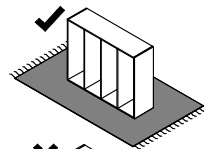
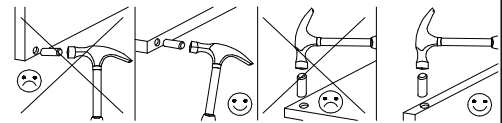
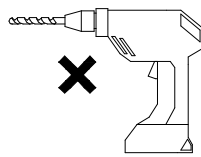
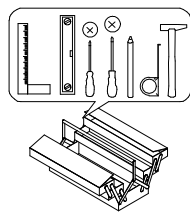
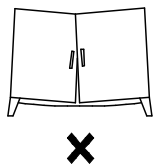
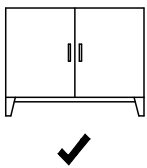
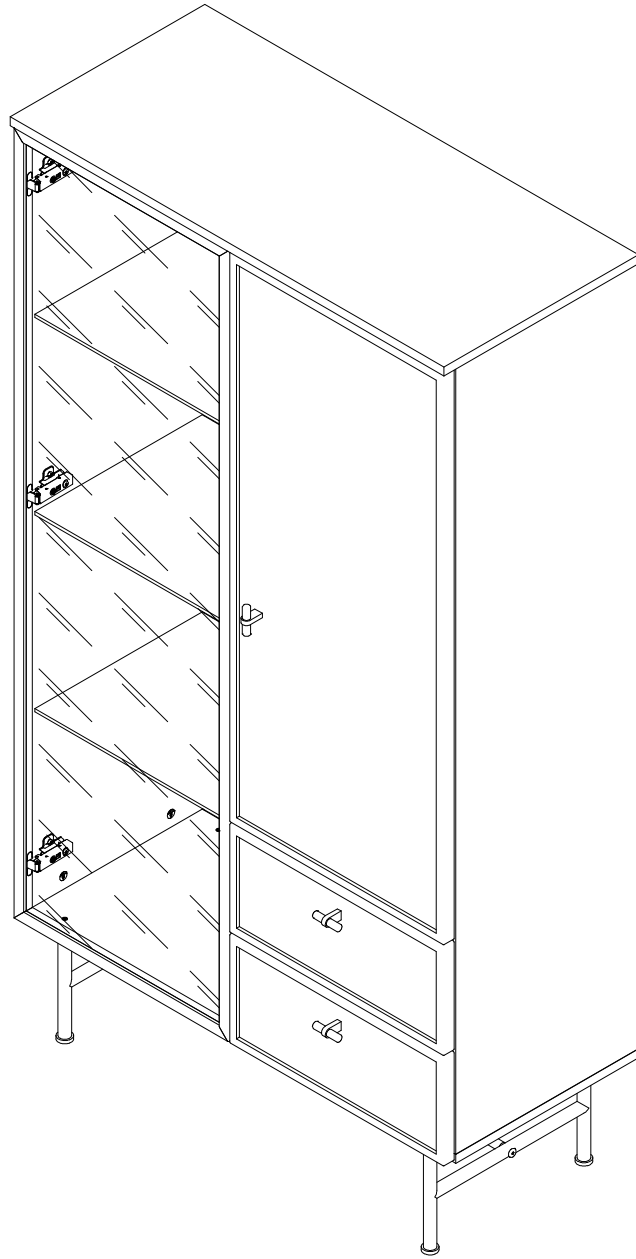
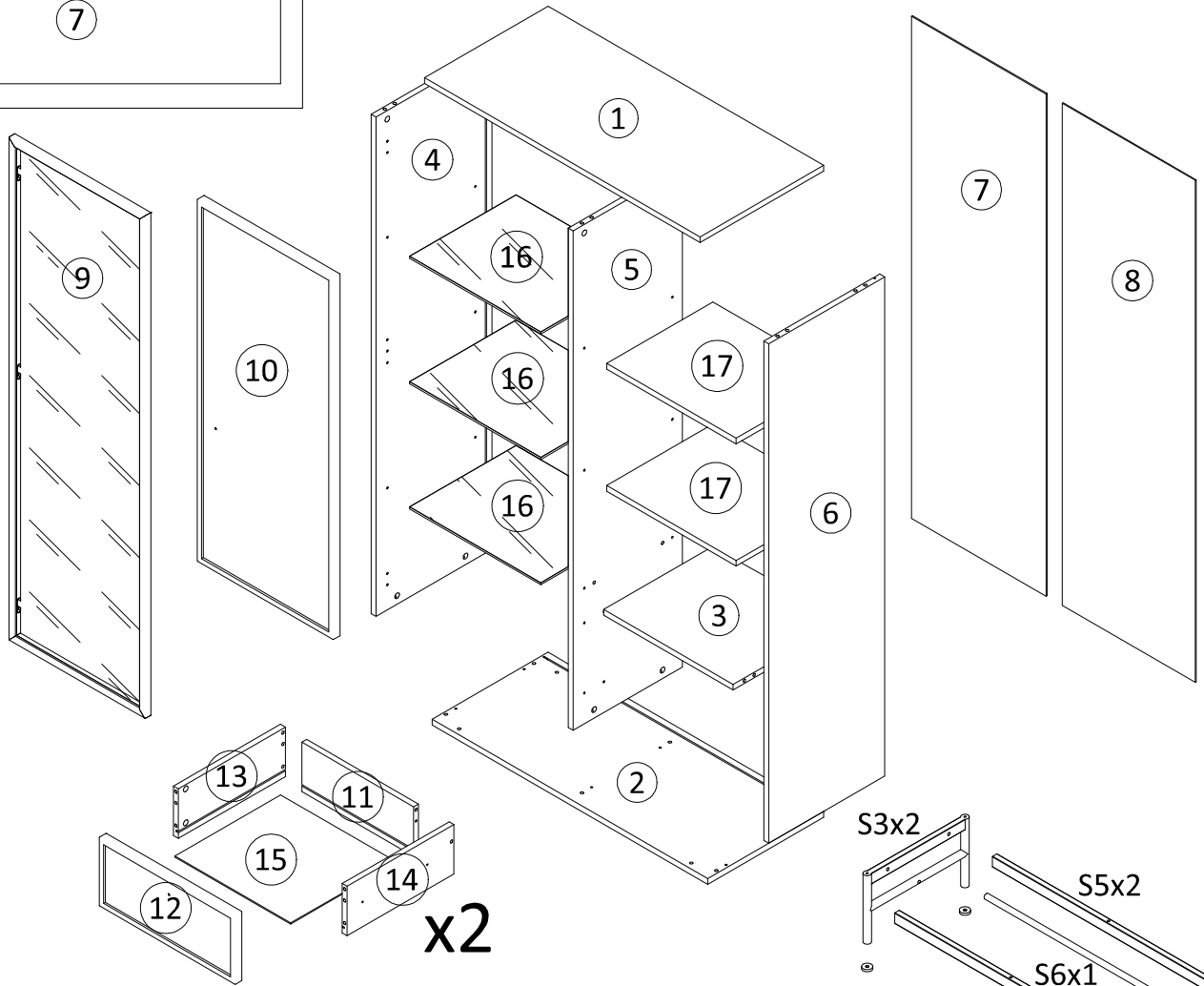
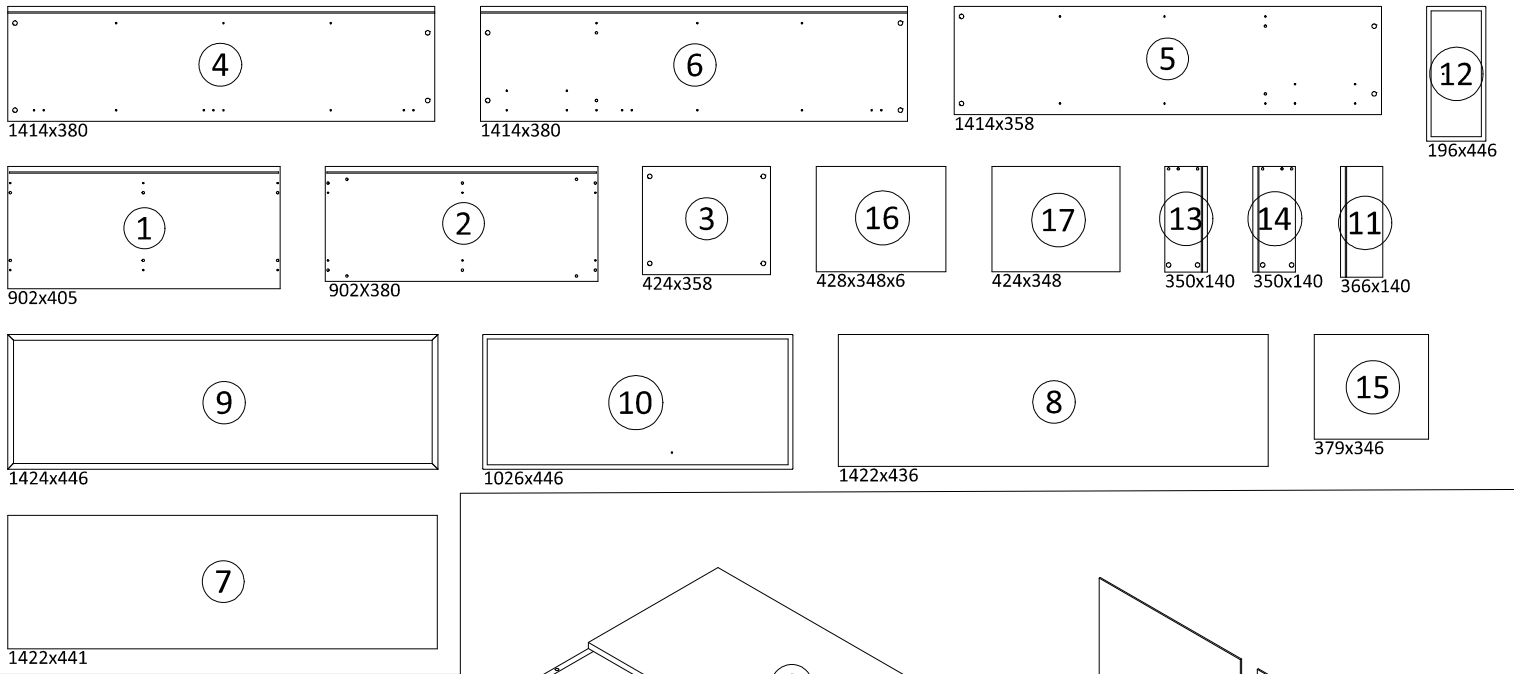


ELORA

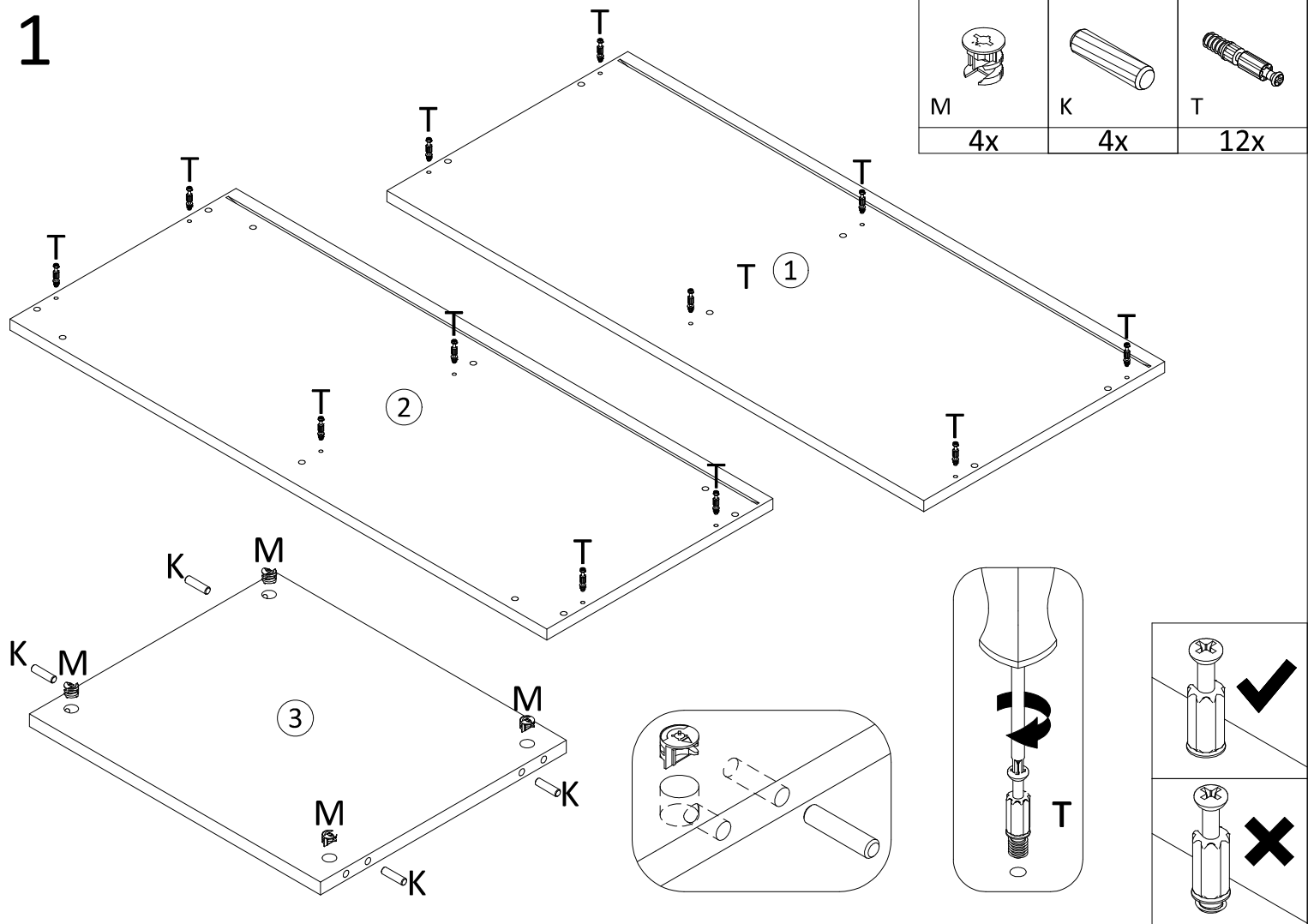
R-4



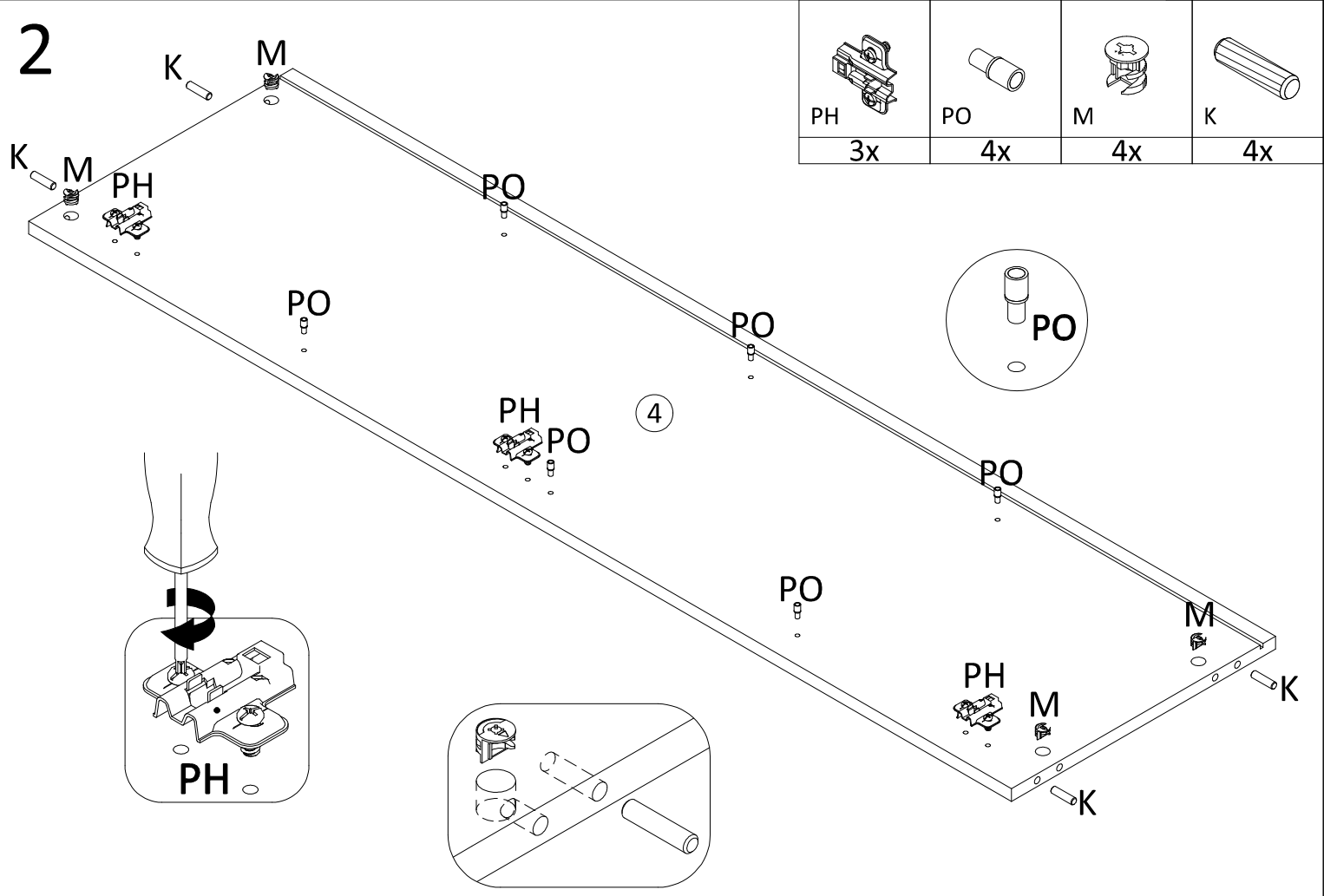


2x	2x	3x	3x	2x PK-L-H45-350-B					
5x13	6.3x13	3x16	3.5x16	4x45	7x50		8x30	15/12	L20,3
2x	8x	14x	14x	2x	4x	3x	28x	24x	24x
1x	SW4 1x	8	12x	4x	24x	14x	10x	2x20 5x	1x

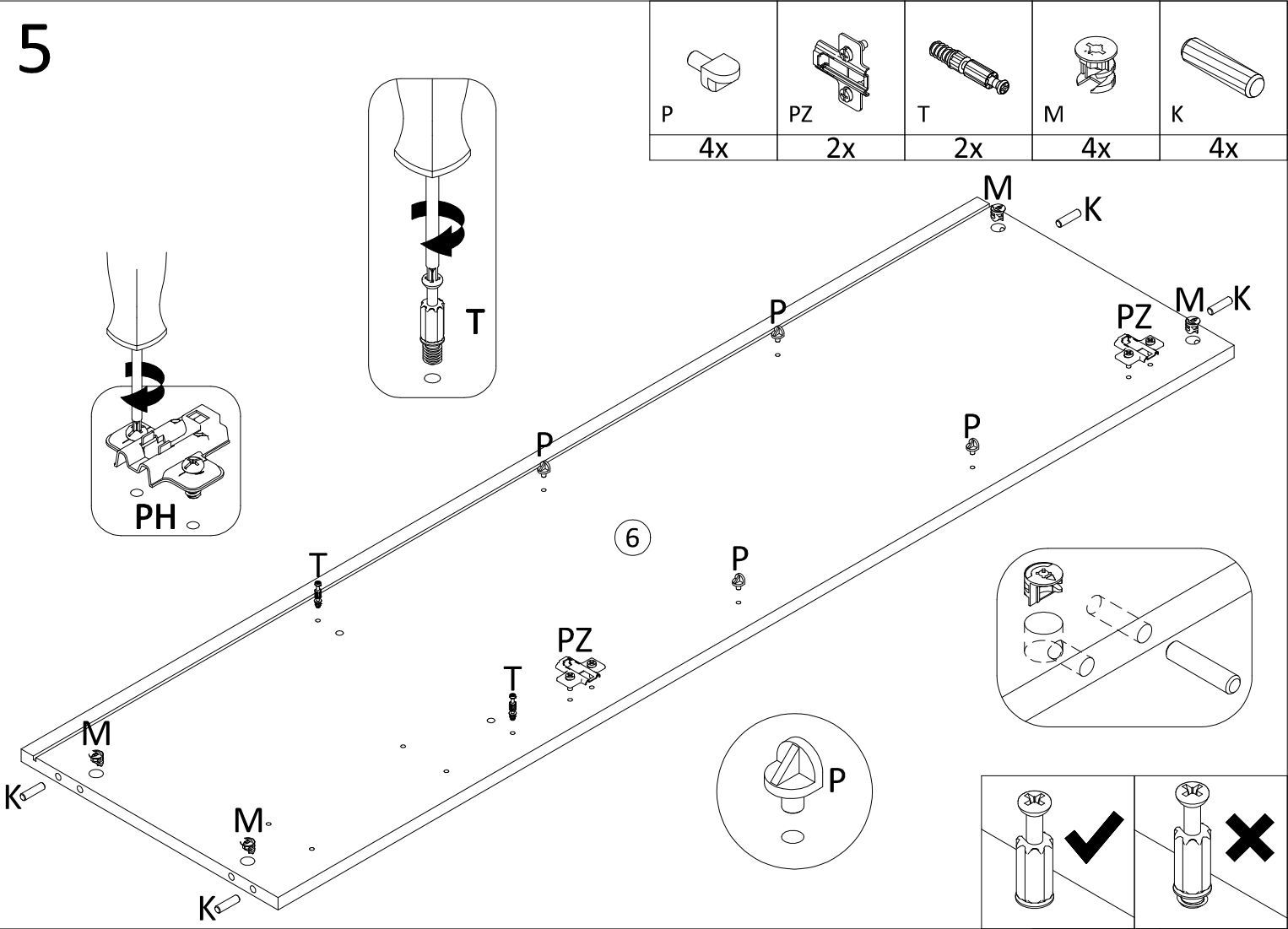
1



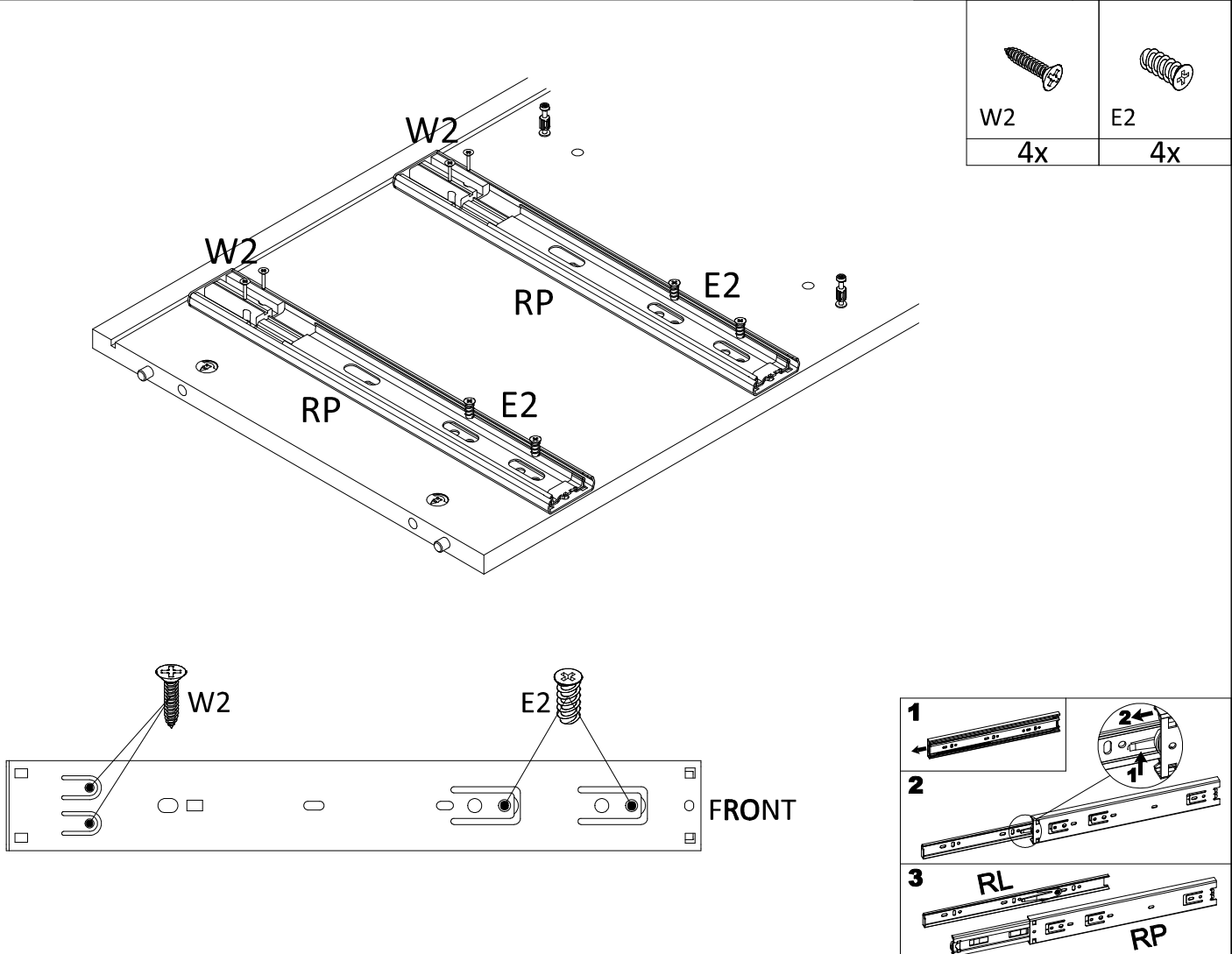
2



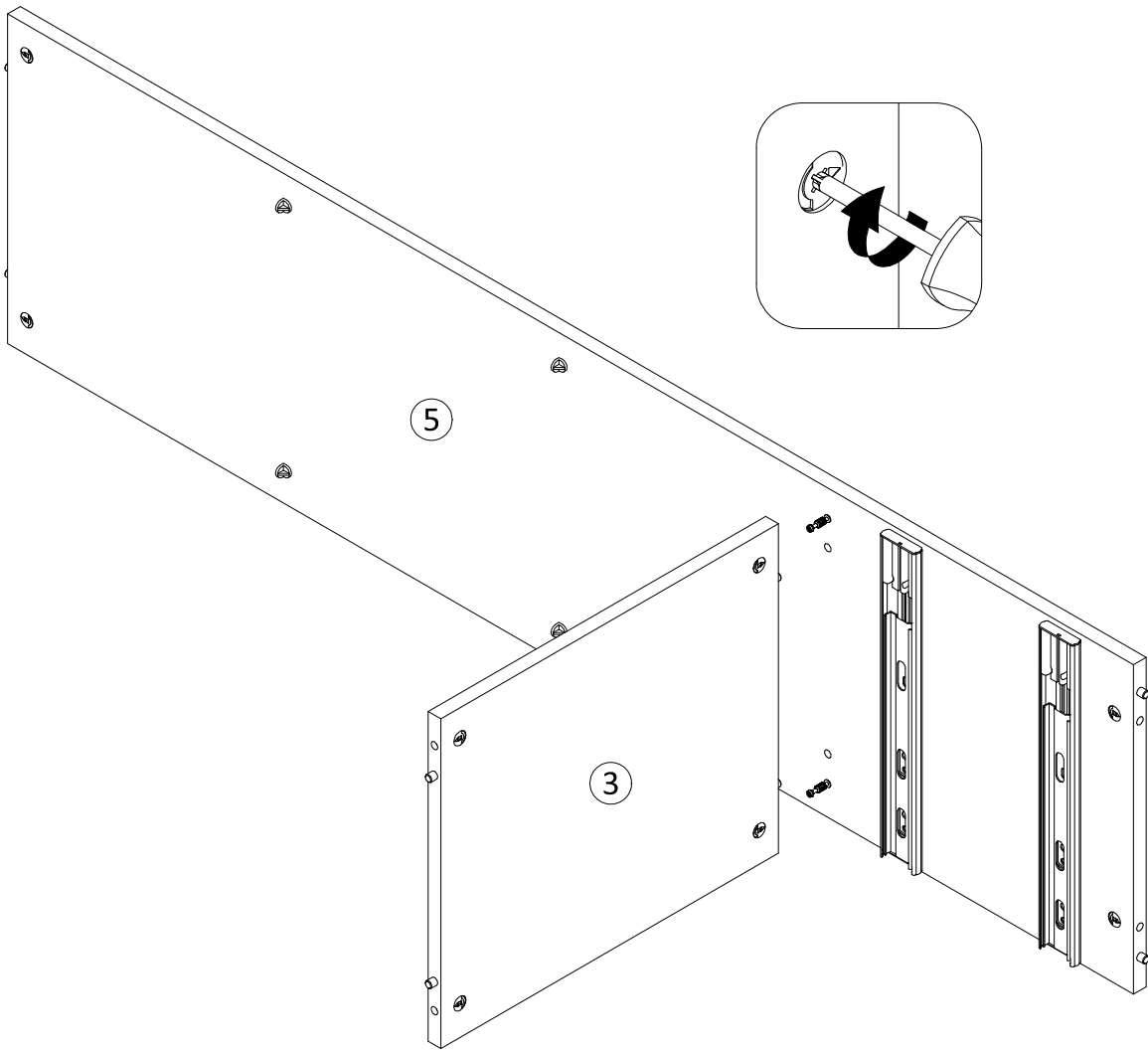
5



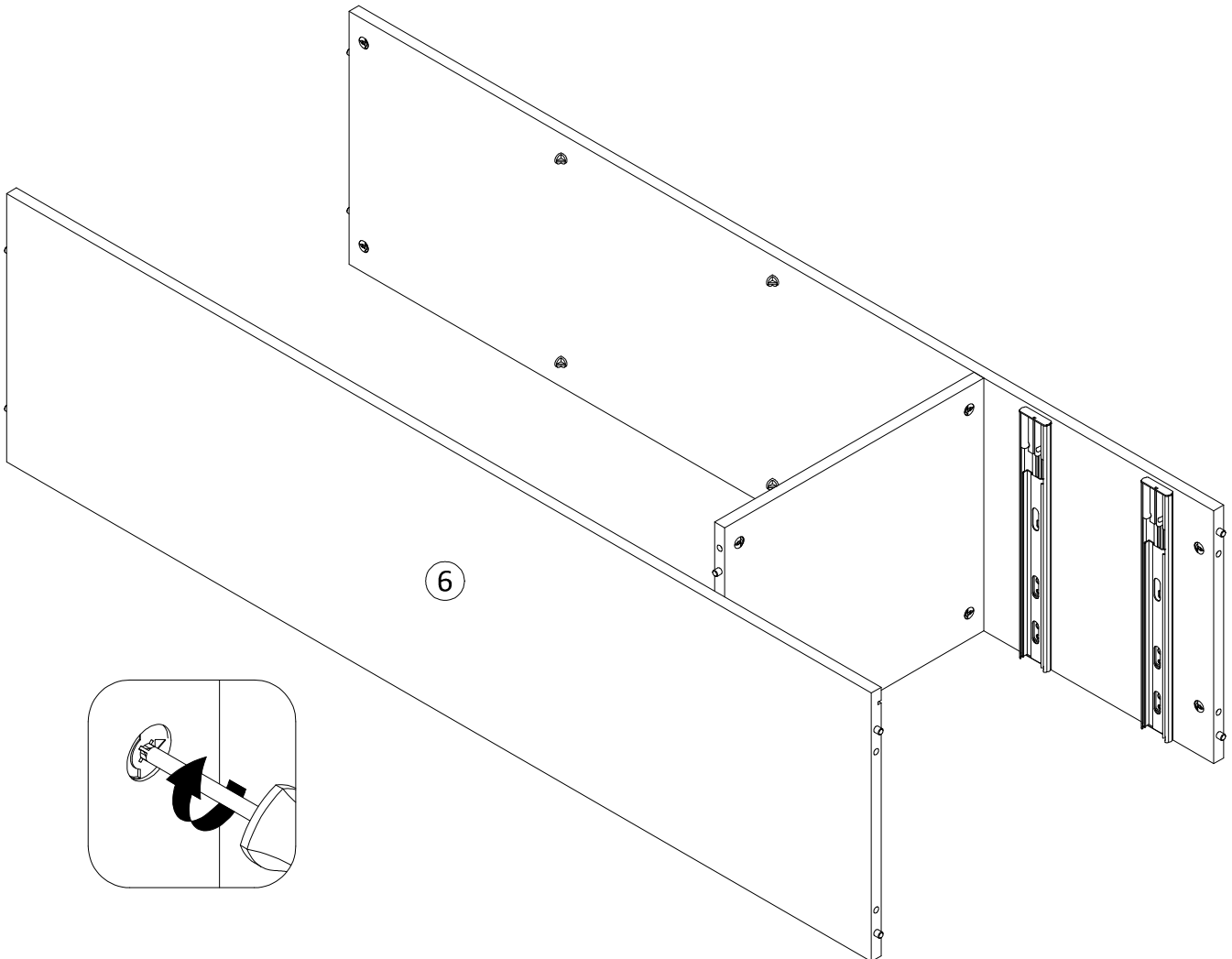
6



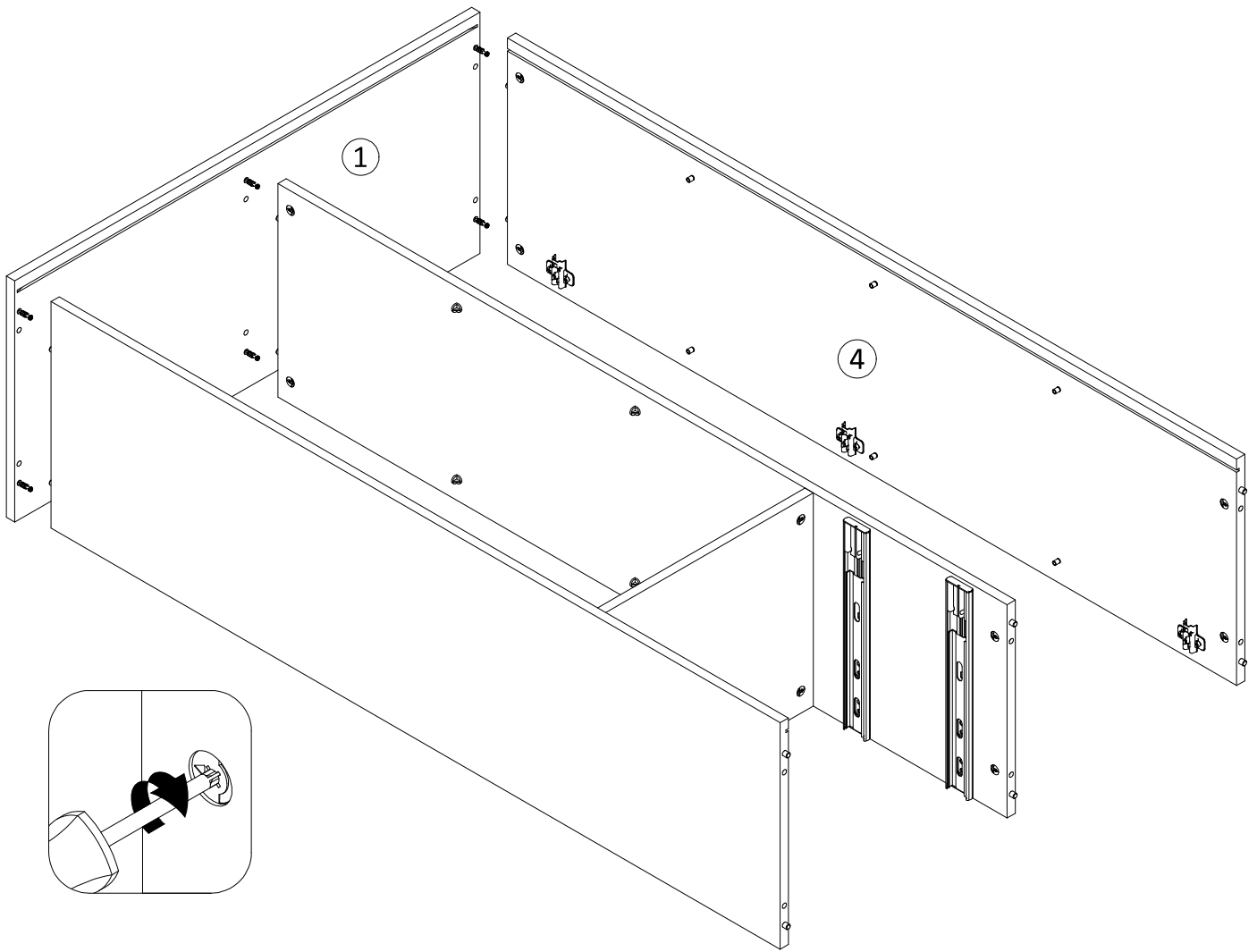
7



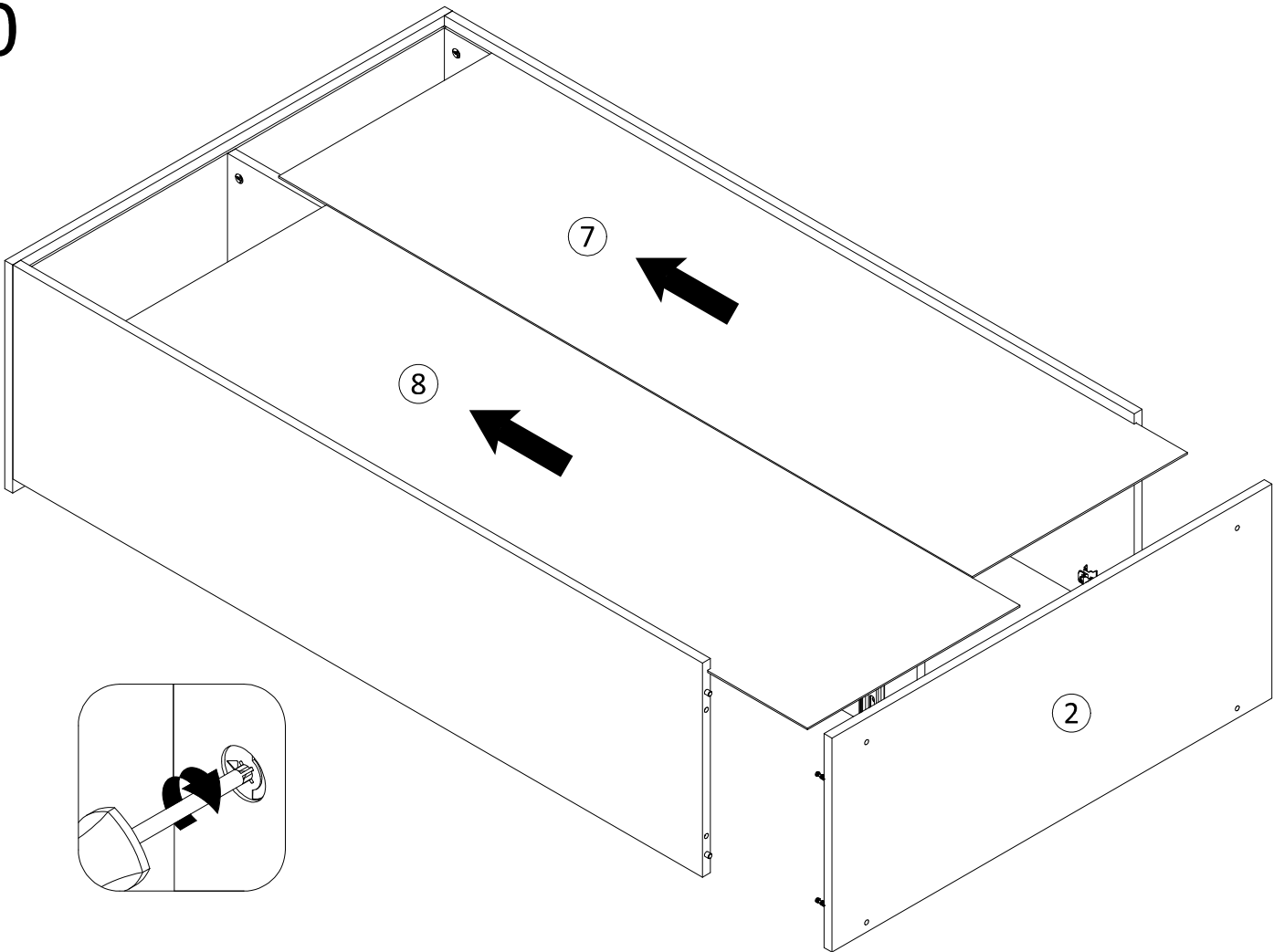
8



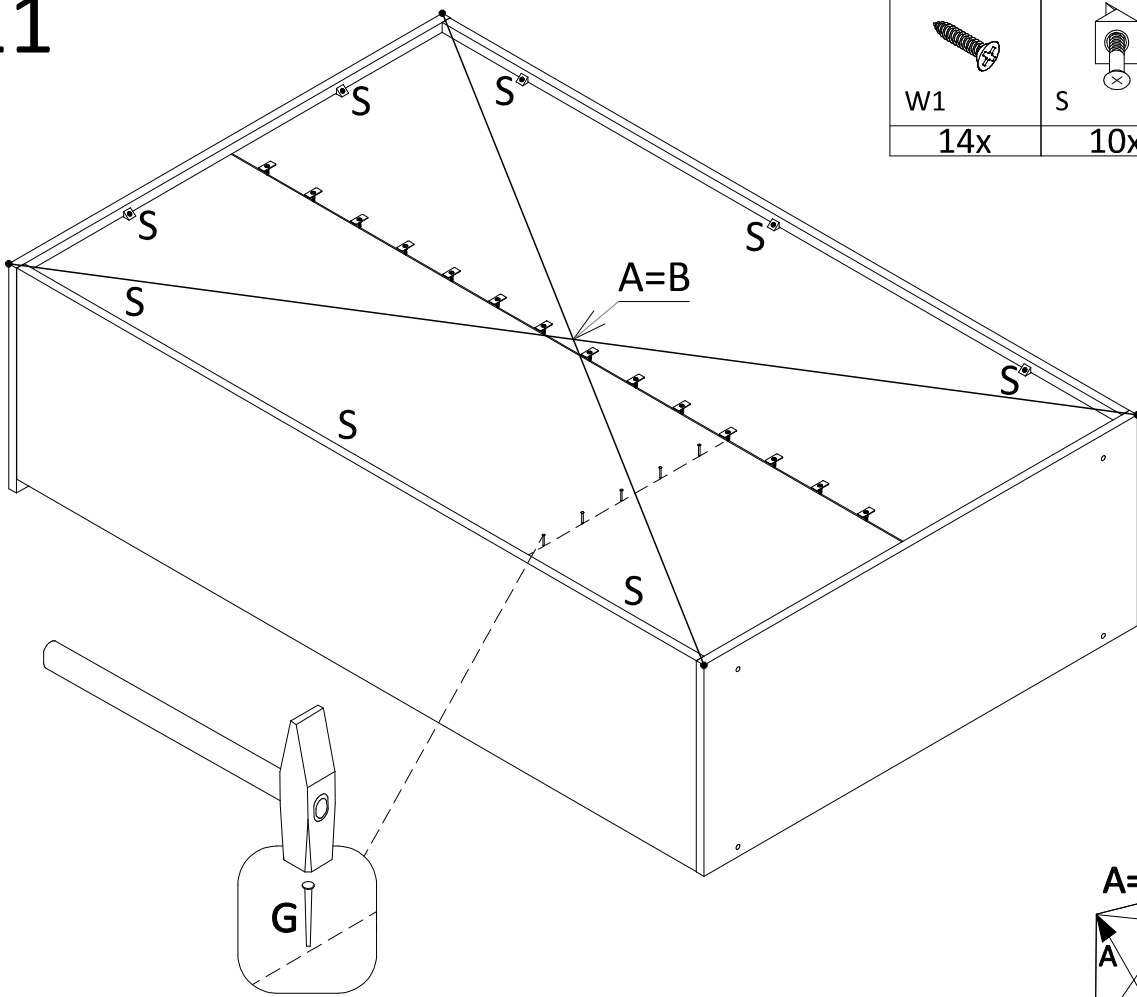
9




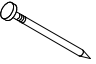


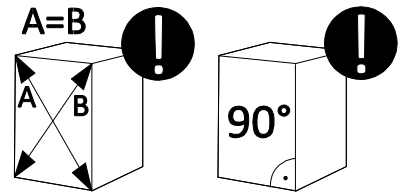
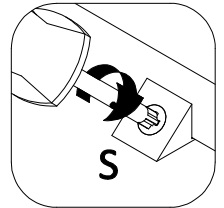
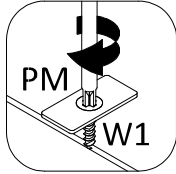
10



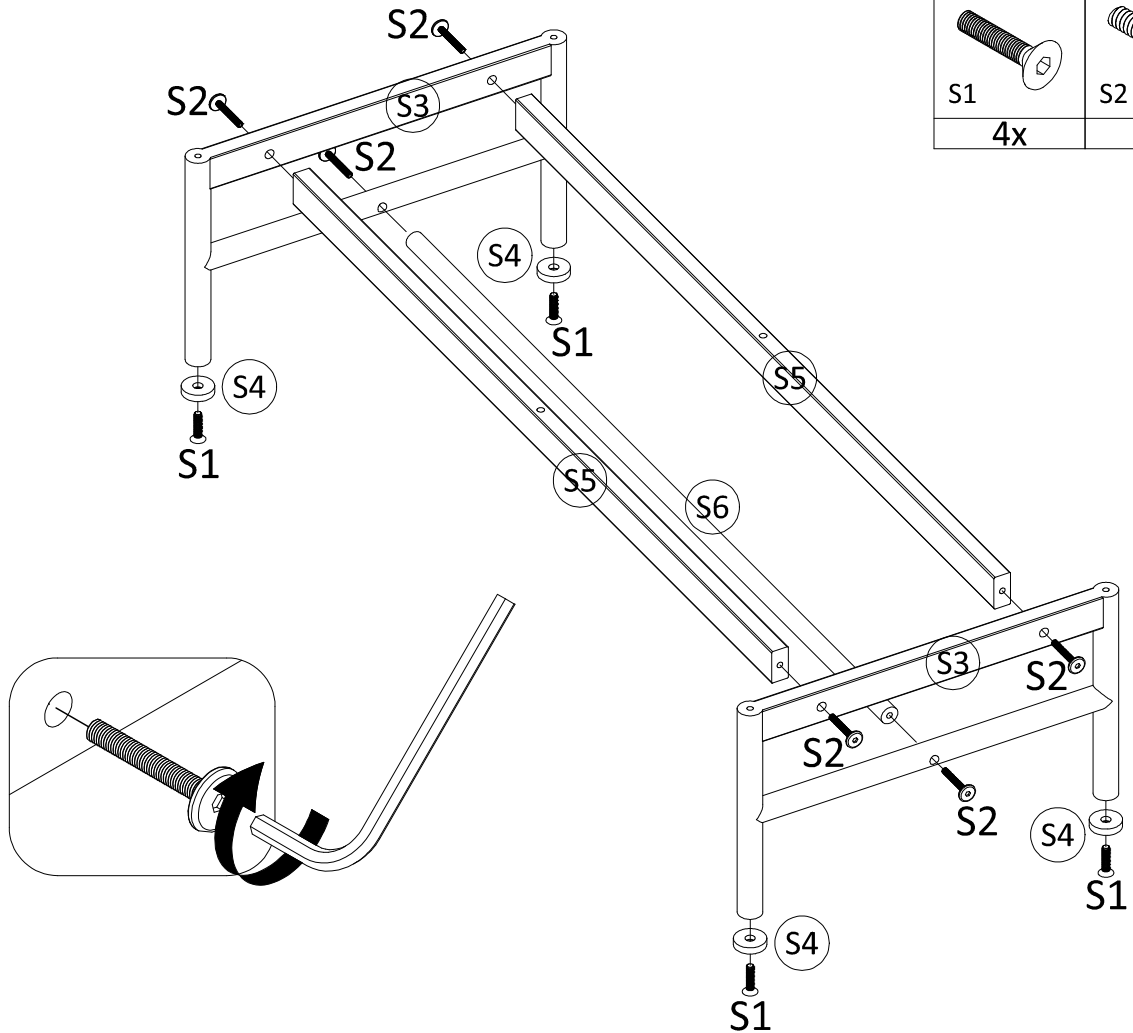
11

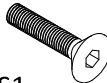
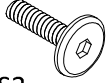
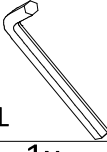


			
W1	S	PM	G
14x	10x	14x	5x

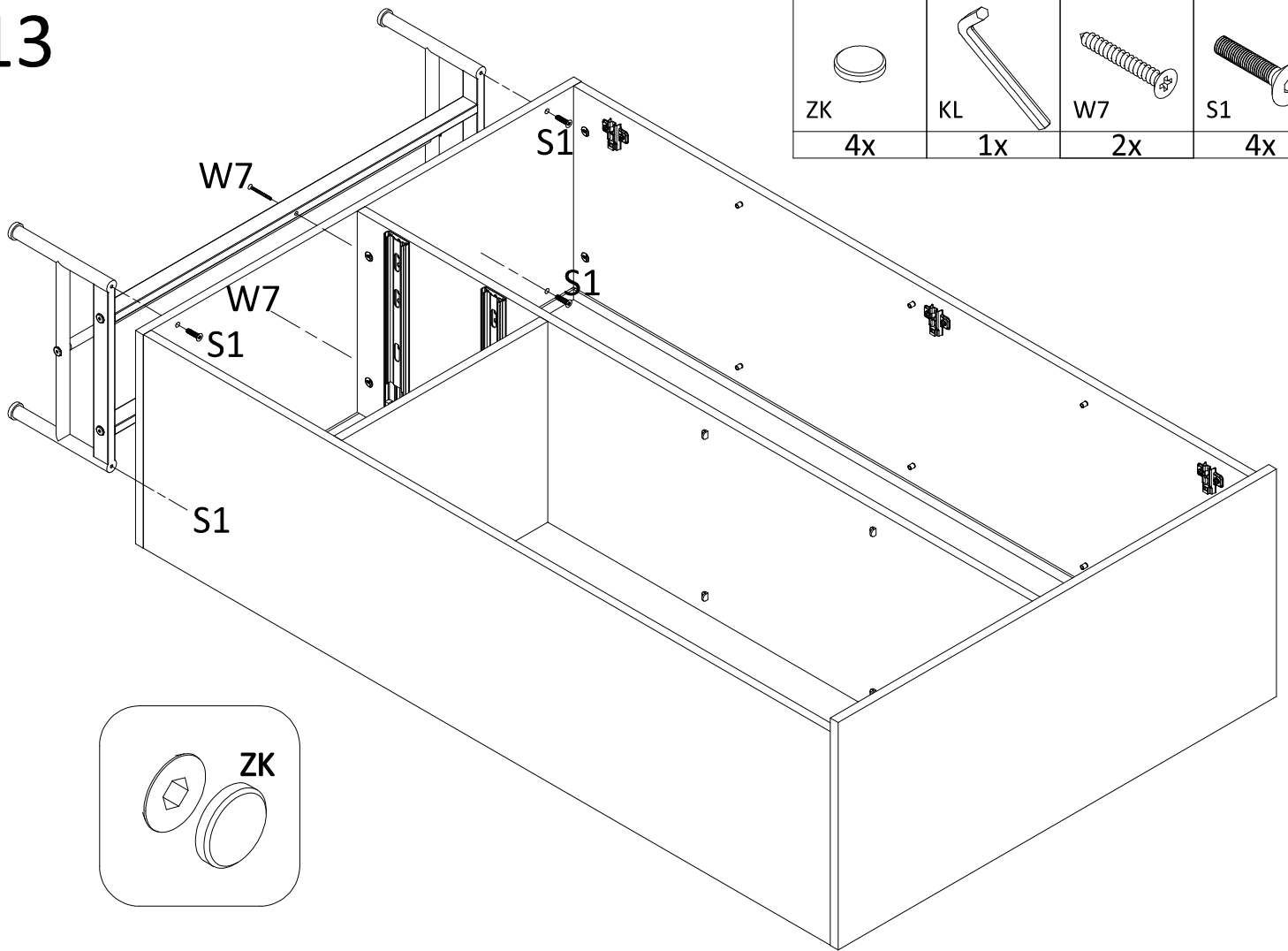


12

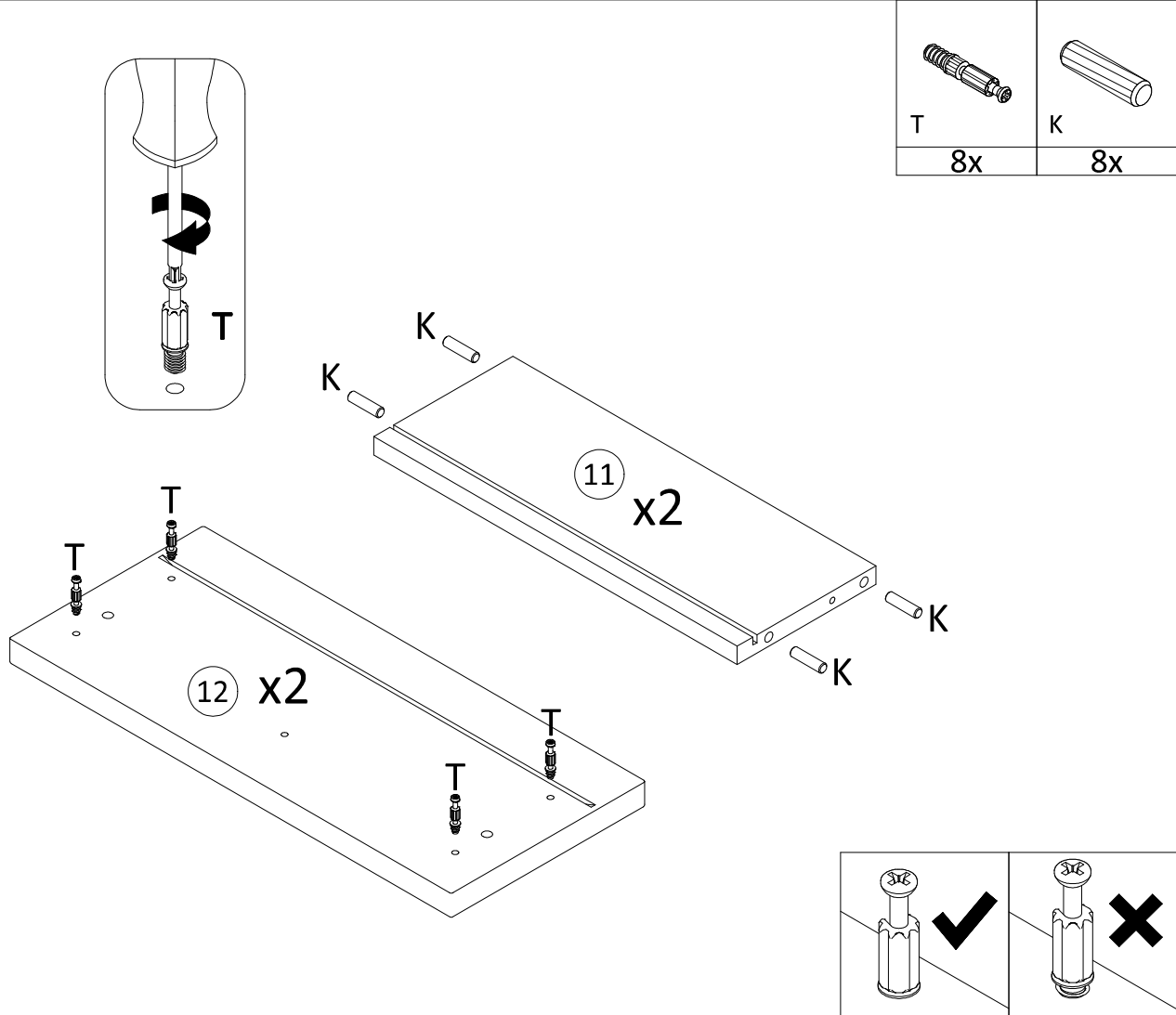


		
S1	S2	KL
4x	6x	1x

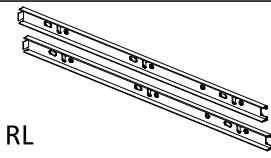


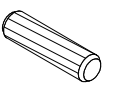
13

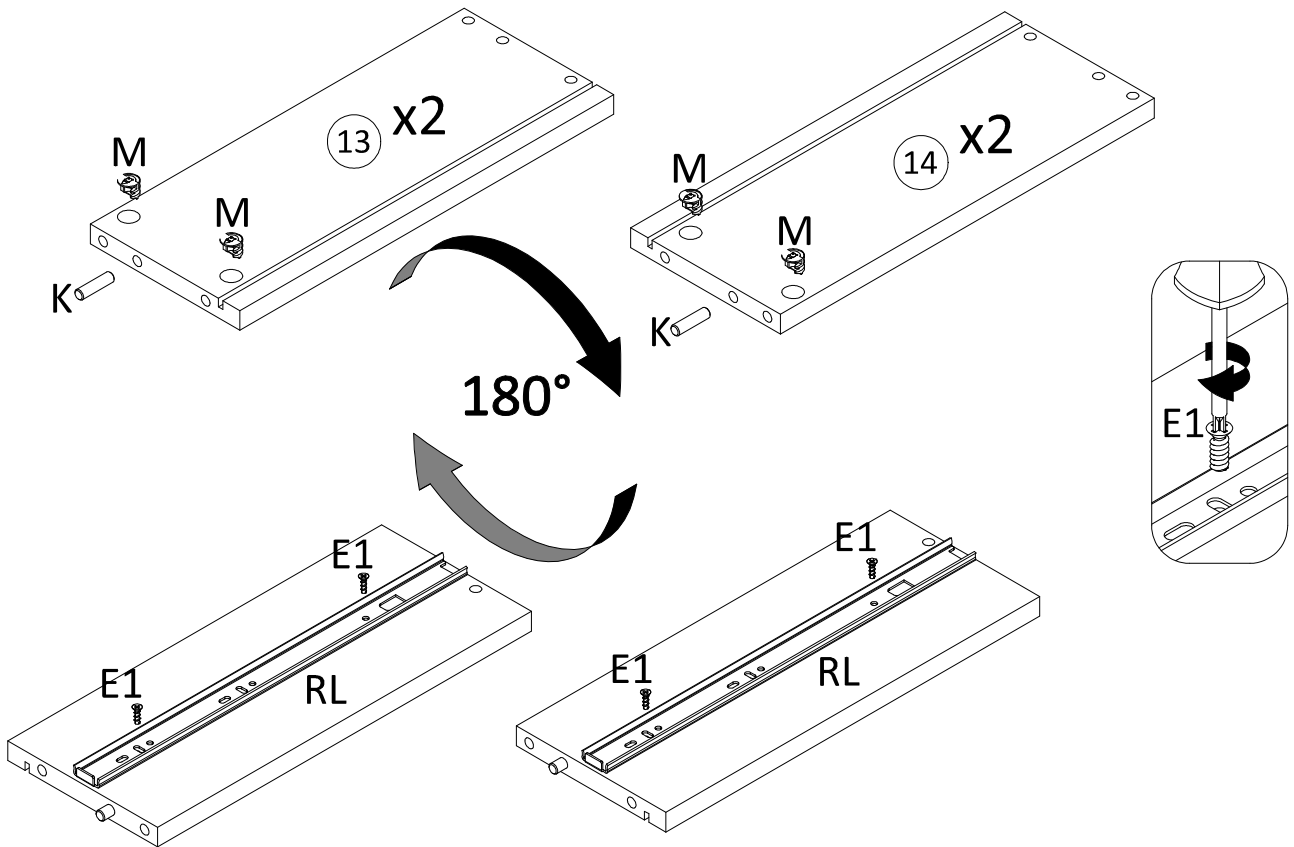


14

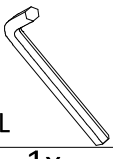
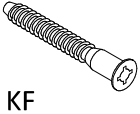


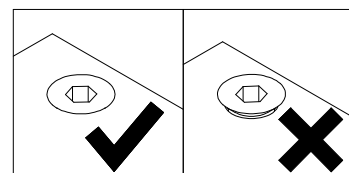
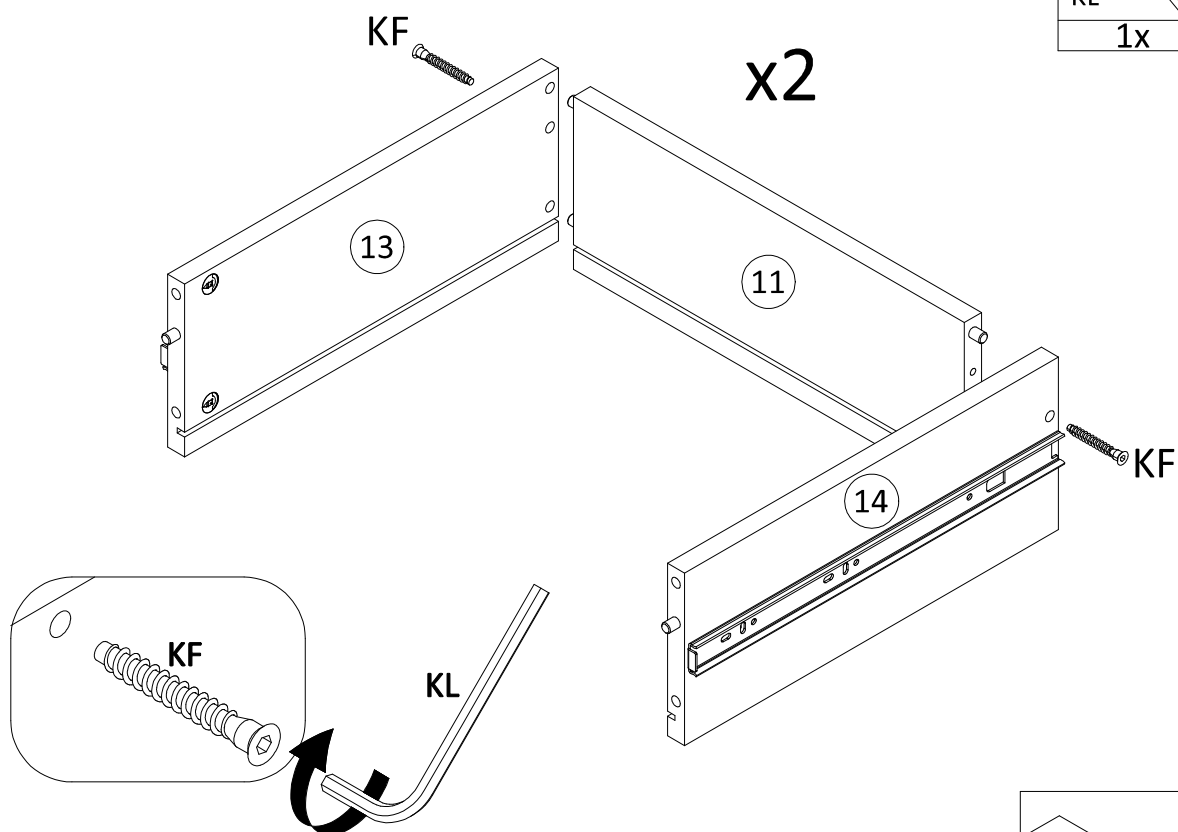
15

			
RL	E1	M	K
2x	8x	8x	4x

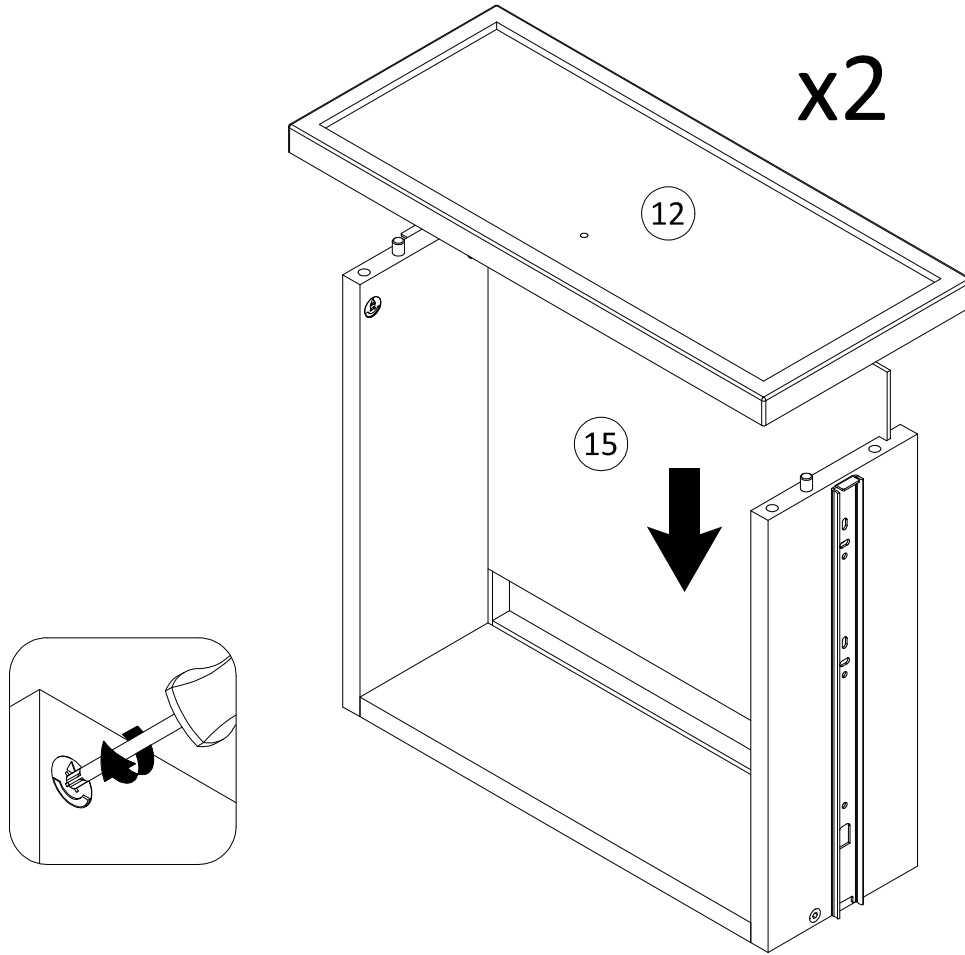


16

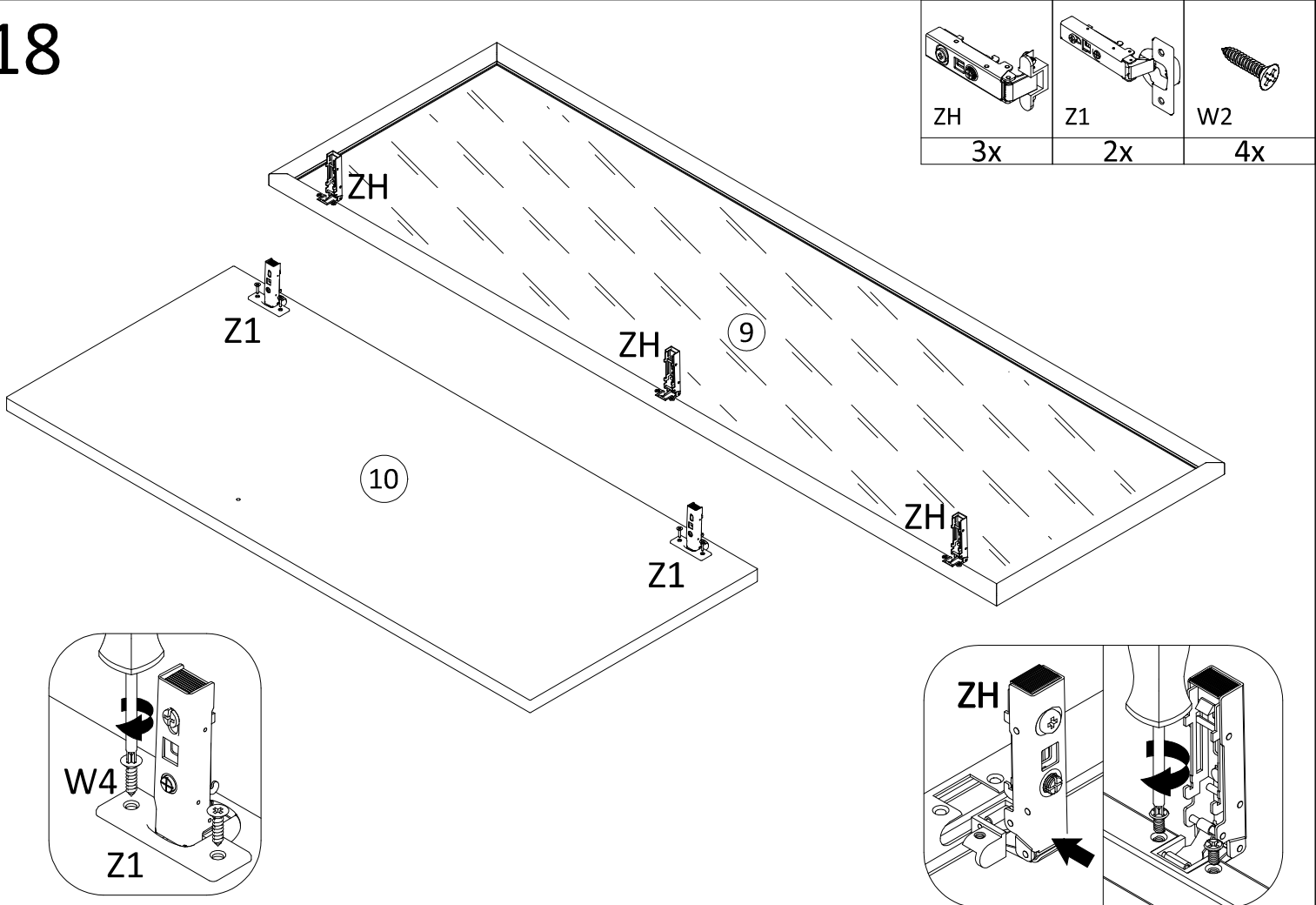
	
KL	KF
1x	4x



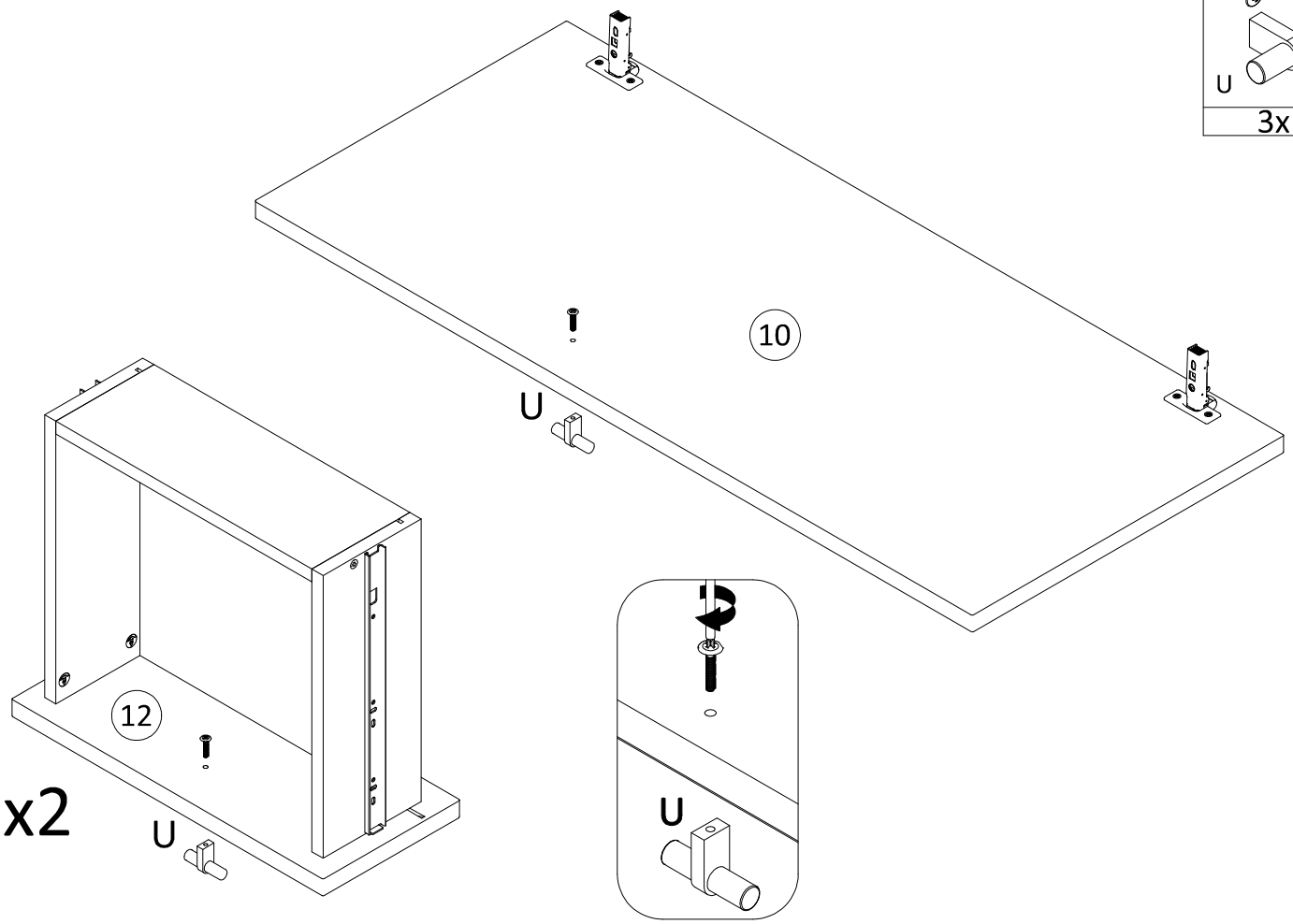
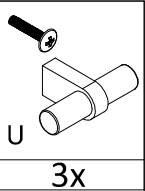
17



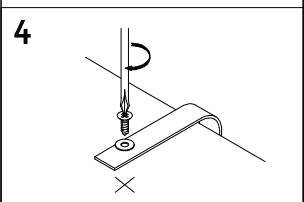
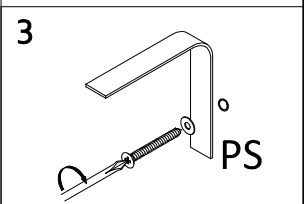
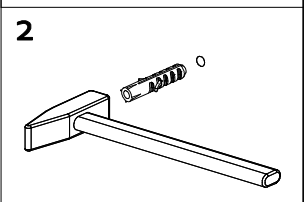
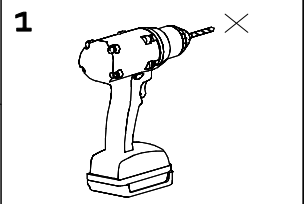
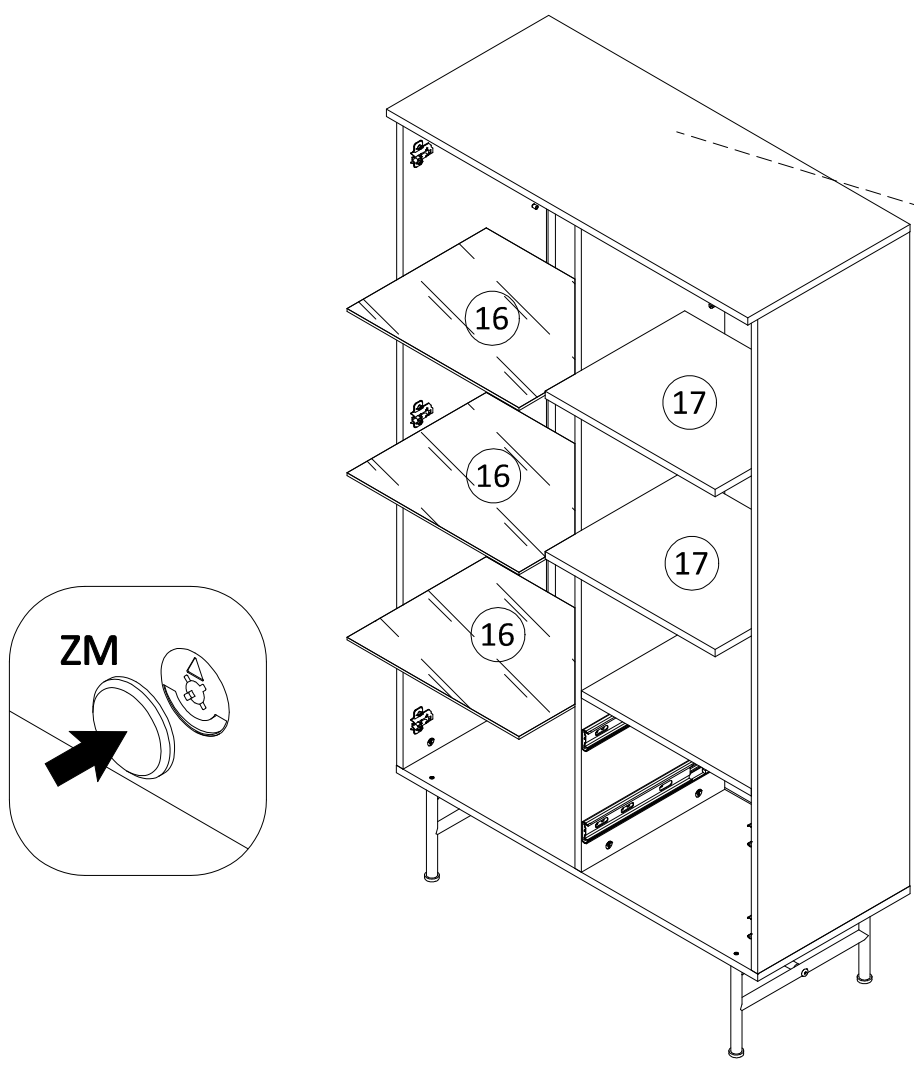
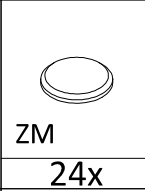
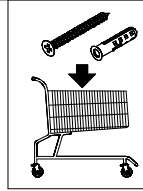
18



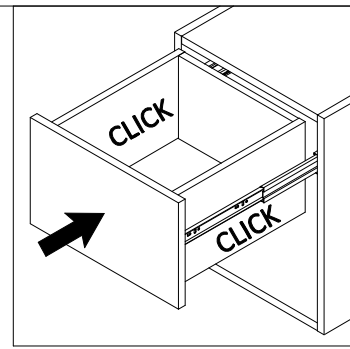
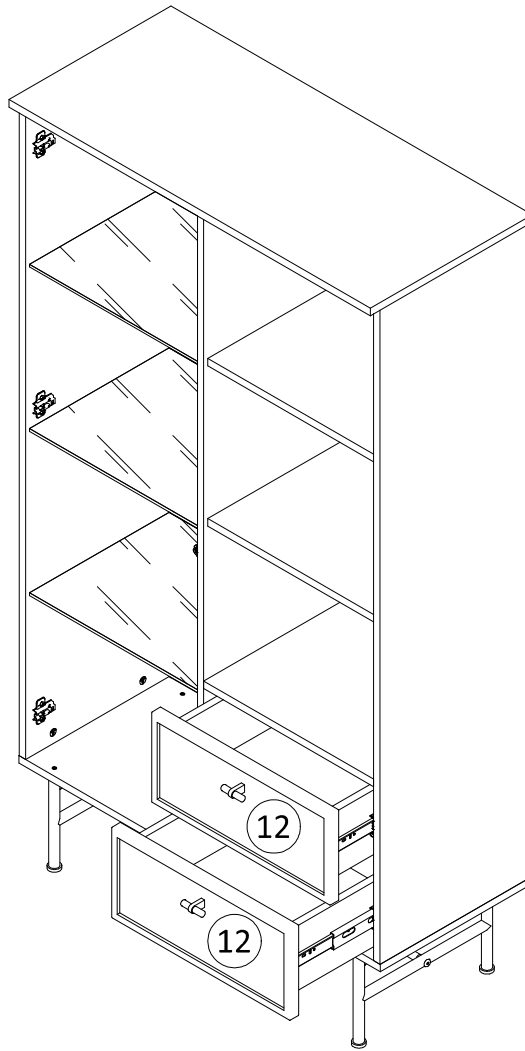
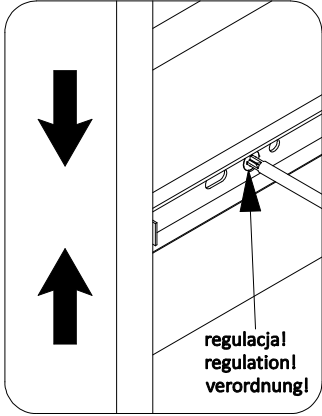
19



20



21



22

